



CAT6A FTP PATCH PANEL

Technical information



Features:

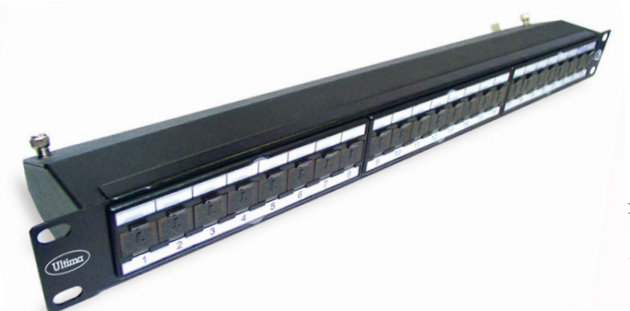
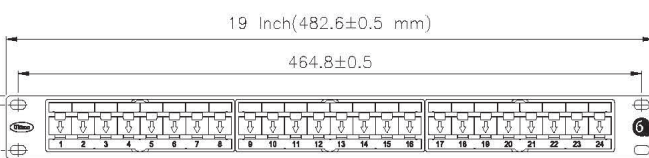
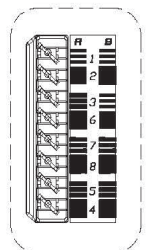
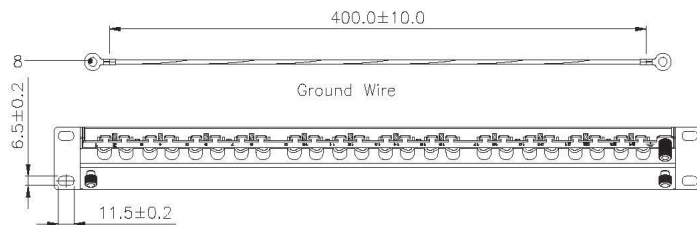
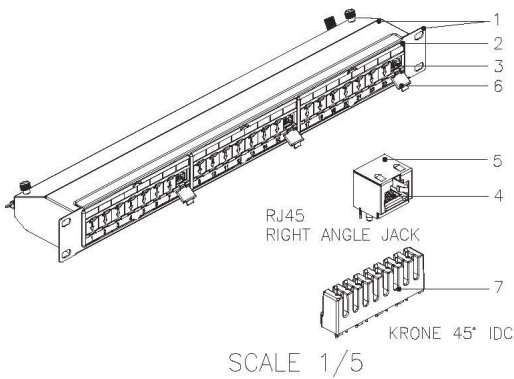
- ◆ Easy to open cover - hand screw
- ◆ Eight port RJ45 modules applied
- ◆ Right angle between IDCs and RJ45 jacks for easy install
- ◆ Jack shutter to keep dust away
- ◆ ID stripes for identifying port allocations
- ◆ IDC compatible with 110 and KRONE tool
- ◆ Terminating 4 pairs, 22-26 AWG solid and stranded wire
- ◆ Universal labels colour coded for T568A and T568B wiring schemes
- ◆ 3P certified Cat6a channel performance

Material

1. Panel	SPCC, 1.2mm thickness with black colour painted
2. RJ45 Jack	Housing: PBT +Glass fibre, UL 94V-0. Contact bracket: PBT +Glass Fibre, UL-94V-0
3. RJ45 Jack Contact	Material: Phosphor bronze, nickel plated. Finish: 50 micro-inch fold plated on plug contact area
4. IDC	Housing: PC+Glass fibre, UL94V-2. Terminal: Phosphor bronze, tin plated
5. PCB	FR4, UL 94V-0
6. Jack Bracket Set	ABS, UL 94V-0
7. Ground Wire	18 AWG Wire with green/yellow striped colour

Performance

Wiring specification	T568A & T568B
Insertion force	30N max.
Retention strength	7.7 kg between Jack and Plug
Operating temperature	-10°C to 60°C
Life (mating cycles)	Jack: 750 cycles min. IDC : Suitable for 22-26 AWG stranded and solid wire, compatible with KRONE punchdown tool



Part Number

Item	Description	Ports	Size	Height
798926	Cat6a FTP Patch Panel	24 Port	19"	1U