



CAT6A TOOL FREE KEYSTONE JACK

Technical information



Features:

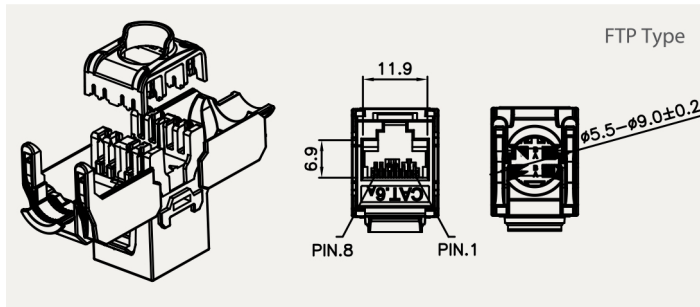
- ◆ RJ45 8P8C jack
- ◆ Terminating 4 pairs, 23-26 AWG cable
- ◆ Colour coded for T568A and T568B wiring schemes
- ◆ Fits 1U high density keystone panel
- ◆ 3P/ETL verified unshielded C6A EIA/TIA connecting hardware
- ◆ 25 year Ultima System Warranty

Material

RJ45 Jack Housing	ABS+PC, UL 94V-0
RJ45 Jack Contact	Material: Phosphor bronze, nickel plated. Finish: 50 micron gold plated on plug contact area
IDC	Housing: PC+Glass fibre, UL 94V-2. Terminal: Phosphor bronze, tin plated
IDC Cap	PC+Glass fibre, UL 94V-2
Plastic Slide	PC+Glass fibre
PCB	FR4, UL 94V-0

Performance

Wiring specification	T568A & T568B
Insertion force	30N max.
Retention strength	7.7 kg between Jack and Plug
Operating temperature	-10°C to 60°C
Life (mating cycles)	Jack: 750 cycles min. Tool free: When using the IDC for wire management IDC : Suitable for 23-26 AWG stranded and solid wire, compatible with 110 punchdown tools



Part Number

Item	Description	Type
789773	Tool Free Keystone Jack	Shielded