



# CAT6 90 DEGREE PUNCHDOWN KEYSTONE JACK



## Technical information

### Features:

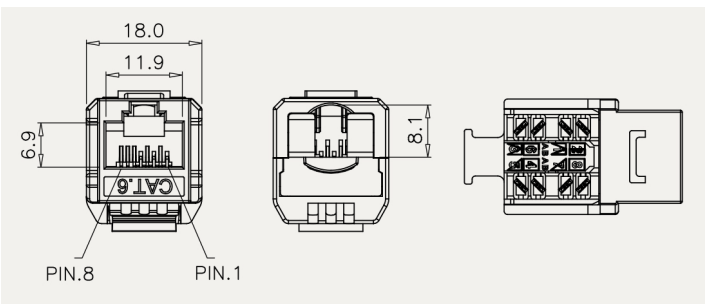
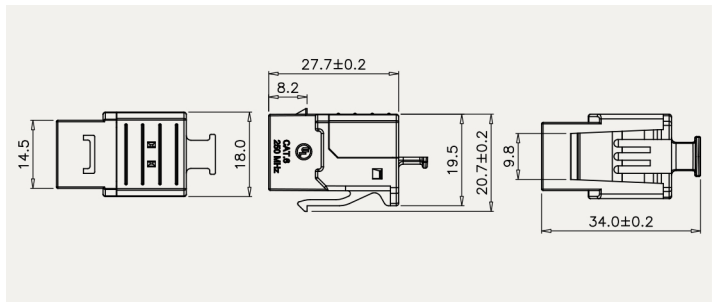
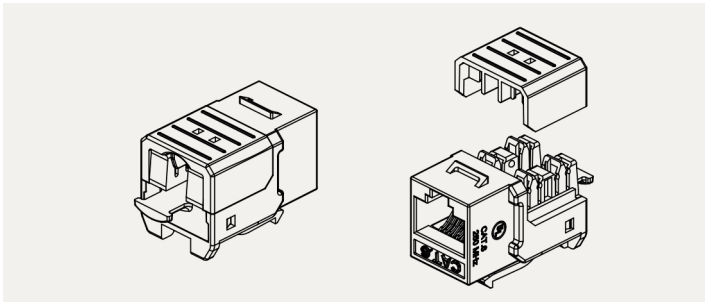
- ◆ RJ45 8P8C jack
- ◆ Cat6 ISO11801 Class E or EN50173 Class E
- ◆ Terminating 4 pairs, 23-26 AWG cable
- ◆ Colour coded for T568A and T568B wiring schemes
- ◆ Fits into 1U 24 & 48 port high density keystone panel
- ◆ UL/ETL verified unshielded C6A EIA/TIA permanent link
- ◆ 25 year Ultima System Warranty

### Material

RJ45 Jack Housing	ABS+PC, UL 94V-0, black colour
RJ45 Jack Contact	Material: Phosphor bronze, nickel plated. Finish: 50 micron gold plated on plug contact area
IDC	Housing: PC+Glass fibre, grey colour, UL 94V-2. Terminal: Phosphor bronze, tin plated
IDC Cap	PC+Glass fibre, UL 94V-2
Plastic Slide	PC+Glass fibre, black colour
PCB	FR4, UL 94V-0

### Performance

Wiring specification	T568A & T568B
Insertion force	20N max.
Retention strength	7.7 kg between Jack and Plug
Operating temperature	-10°C to 60°C
Life (mating cycles)	Jack: 750 cycles min. Tool free: When using the IDC for wire management IDC : Suitable for 23-26 AWG stranded and solid wire, compatible with 110 punchdown tools



### Part Number

Item	Description	Type
789769	Tool Free Keystone Jack	UnShielded