



CAT6 24 PORT RIGHT ANGLE PATCH PANEL



Technical information

Features:

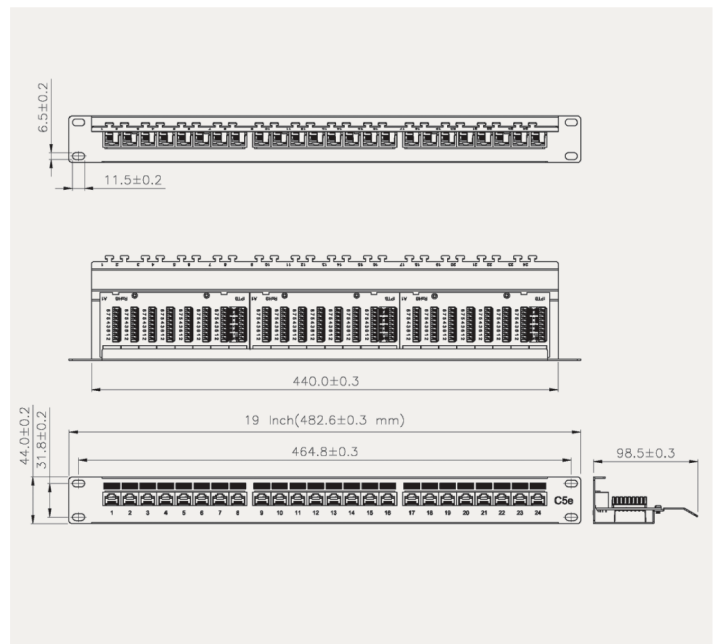
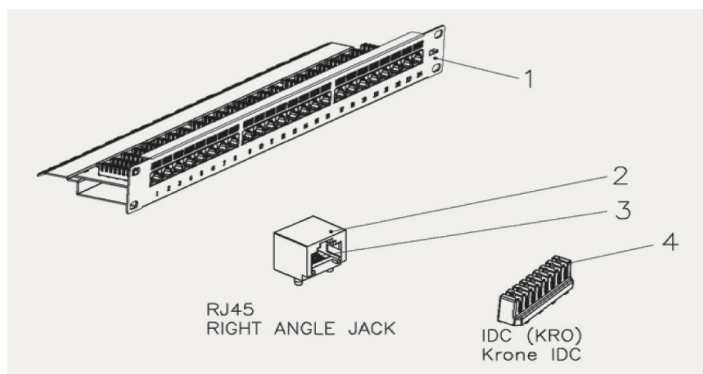
- ◆ PCB panel
- ◆ Fully flat front fascia
- ◆ Constructed of 3 x 8 port modules
- ◆ LSA punchdown
- ◆ Terminating 4 pairs, 22-26 AWG, unshielded cable
- ◆ Horizontal punch
- ◆ Integral cable management bar to maintain bend radius
- ◆ Cat5e ISO11801 Class D or EN50173 Class D compliant
- ◆ 25 year Ultima System Warranty

Material

1. Panel	SPCC, 1.2mm thickness. Painted black (RAL 9005)
2. RJ45 Jack Housing	PBT+Glass Fibre, UL 94V-0
3. RJ45 Contact Bracket	PBT+Glass Fibre, UL 94V-0
4. RJ45 Jack Contact	Material: Phosphor bronze, nickel plated. Finish: 50 micron gold plated on plug contact area
5. IDC Housing	PC+Glass Fibre, UL 94V-2
6. IDC Terminal	Phosphor bronze, tin plated
7. PCB	FR4, UL 94V-0

Performance

Wiring specification	T568A & T568B
Insertion force	20N max.
Retention strength	7.7 kg between Jack and Plug
Operating temperature	-10°C to 60°C
Life (mating cycles)	Jack: 750 cycles min. IDC : Suitable for 22-26 AWG solid wire, compatible with LSA punchdown tools



Part Number

Item	Description	Ports	Size	Height
783005	UnShielded	24Port	19"	1U