



CAT6 LOW PROFILE UNSHIELDED EURO PCB MODULE



Technical information

Features:

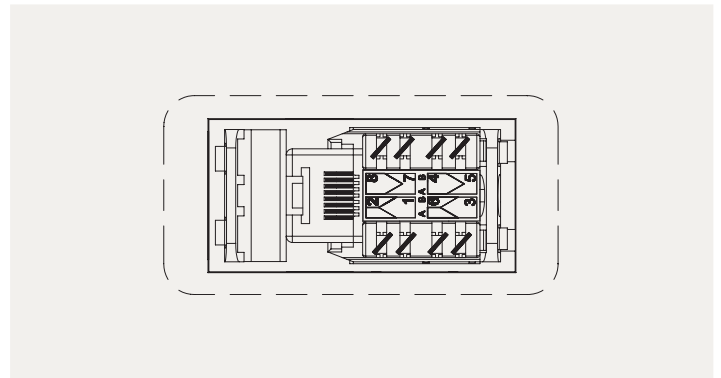
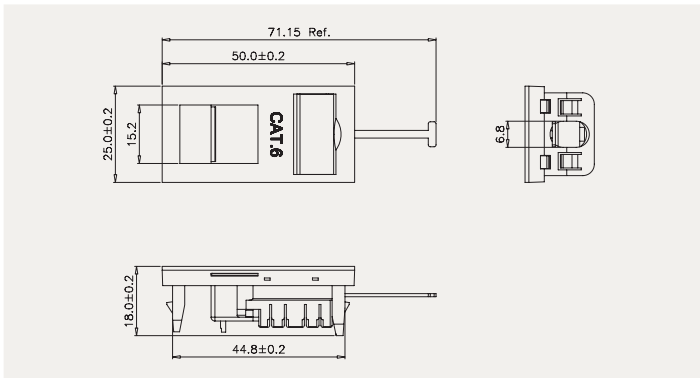
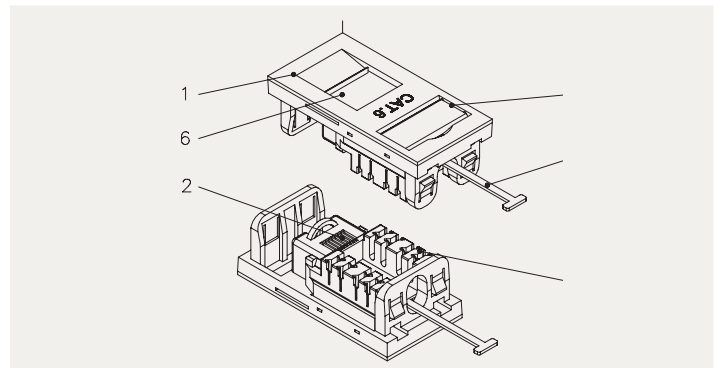
- ◆ Hinged label window
- ◆ 20mm deep
- ◆ 568B wiring
- ◆ LSA punchdown
- ◆ Cat6 ISO11801 Class E or EN50173 Class E
- ◆ 25 year Ultima Warranty System

Material

1. Modular Frame & RJ45 Jack Housing	ABS, UL 94-HB
2. RJ45 Jack Contact	Material: Phosphor bronze, nickel plated. Finish: 50 micron gold plated on plug contact area
3. IDC	Housing: PC+Glass fibre, UL 94V-2. Terminal: Phosphor bronze, tin plated
4. Cable Holder	PP, UL 94V-2
5. Identification Plate	Polycarbonate, UL 94V-0, transparent colour
6. Dust Cover	ABS, UL 94-HB
7. PCB	FR4, UL 94V-0

Performance

Wiring specification	T568A & T568B
Insertion force	20N max.
Retention strength	7.7 kg between Jack and Plug
Operating temperature	-10°C to 60°C
Life (mating cycles)	Jack: 750 cycles min. IDC : Suitable for 22-26 AWG solid wire, compatible with LSA punchdown tools



Part Number

Item	Description	Type	Style	Colour
779332	Low Profile Module	UnShielded	Euro	White
789835	Low Profile Module	UnShielded	Euro	Black